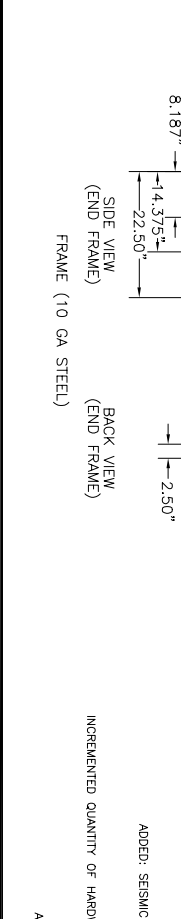
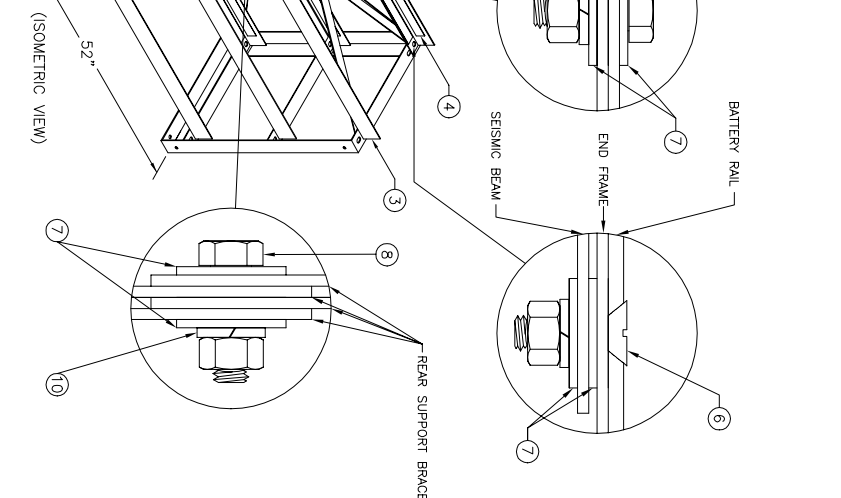
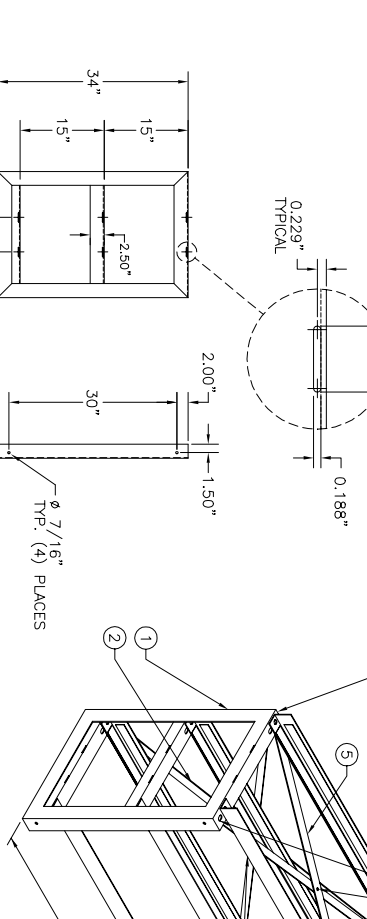
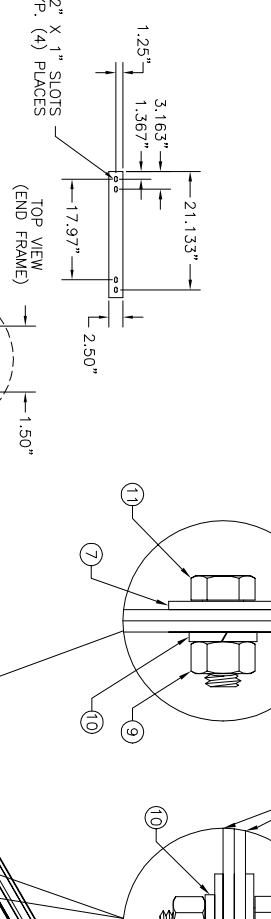
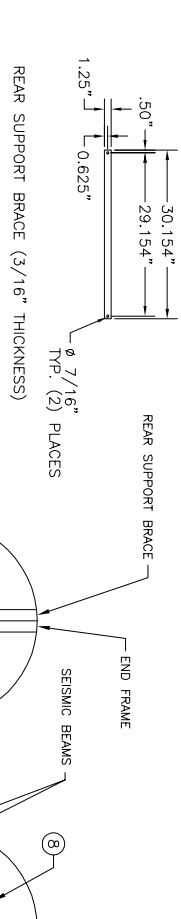
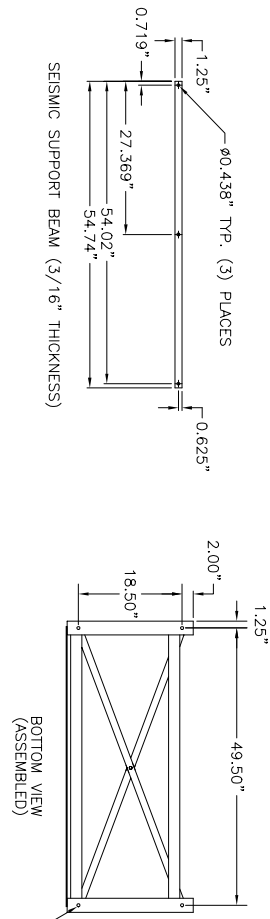
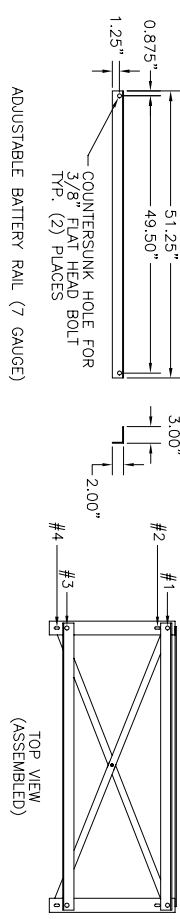


MAXIMUM NUMBER OF SLIM LINE BATTERIES PER RACK

MODEL #	CSL-12170	SL/SUR-12205	CSL-1280	SL/SUR-12105
RB52T	15	15	30	30

RACK ASSEMBLY INSTRUCTIONS

- READ ALL INSTRUCTIONS FULLY BEFORE ATTEMPTING TO INSTALL OR SET UP RACKS.
- (A) CHECK RECEIVED PARTS AGAINST PARTS LIST BELOW.
- (B) RACK LOCATION SHOULD:
 1. AWAY FROM OUTSIDE SOURCES OF HEAT (DIRECT SUN- LIGHT, RADIATORS, STEAM PIPES ETC.)
 2. ON LEVEL GROUND.
 3. EASILY ACCESSIBLE FOR CELL READINGS.
- (C) MARK LOCATION ON FLOOR AND POSITION FRAMES.
- (D) INSTALL BRACES ON TO FRAMES AND HAND TIGHTEN NUTS.
- (E) INSTALL RAILS IN APPROPRIATE POSITION FOR BATTERY SYSTEM TO BE USED AND HAND TIGHTEN NUTS. ALL RAILS ARE TO BE INSTALLED ON THE #1 & #3 HOLES, AS SHOWN IN THE TOP VIEW.
- (F) CHECK THAT RAILS AND BRACES ARE IN CORRECT POSITION AND SQUARE RAIL WITH FRAME.
- (G) INSTALL RAIL INSULATION ON BOTH INSIDE SURFACES OF THE RAIL MAKING SURE THEY MEET AT THE BEND IN THE RAIL.
- (H) TIGHTEN ALL NUTS TO A 30 FT/LB TORQUE VALUE STARTING WITH BRACES FIRST, THEN RAILS.
- (I) *BOLT FRAMES TO FLOOR, FOR UBC 97 ZONE FOUR CERTIFIED RACKS, A MINIMUM OF 6" OF SPACING IS NEEDED AROUND ALL SIDES OF RACK.
- (J) ALL MOUNTING SLOTS ARE 1/2" X 1" AND SUPPLIED WITH 3/8" HARDWARE KIT.
- (K) ALL RACKS ARE MADE OF STEEL ANGLE SUPPORTS AND ARE PAINTED WITH A TEXTURED IBM WHITE ELECTROSTATIC POWDER COAT.



ADDED: SEISMIC BRACING/SLOTS FOR STRAPPING/HARDWARE KIT & DETAIL/ANCHORING COMPONENTS.
 INCREMENTED QUANTITY OF HARDWARE NUMBERED 7-10, BY TWO PIECES EACH.
 INCREMENTED QUANTITY OF HARDWARE NUMBERED 6-10, BY TWO PIECES EACH, INCREMENTED #7, BY FOUR PIECES.
 MODIFIED RACK ASSEMBLY INSTRUCTIONS PART 1, ADDED NOTE FOR 6" SPACING.
 ADDED HIDDEN LINES AND REARRANGED DIMENSIONING TO BACK VIEW OF END FRAME.

NO.	DATE	BY	SCALE	DESCRIPTION:	QTY.	PART NO.:
11	7/7/98		NONE	SEISMIC SUPPORT BEAMS	2	RB52-SSB
10	8/23/99		NONE	BATTERY RAIL INSULATION KIT	1	RB52T-BRI
9	8/24/99		NONE	ADJUSTABLE BATTERY RAIL	6	RB52-ABR
8	2/14/00		NONE	REAR SUPPORT BRACE	4	RB52T-B
7	3/20/00		NONE	END FRAME	2	RB52T-RF

NO.	DATE	BY	SCALE	DESCRIPTION:	QTY.	PART NO.:
5	2/6/96		NONE	SEISMIC SUPPORT BEAMS	2	RB52-SSB
4	7/7/98		NONE	BATTERY RAIL INSULATION KIT	1	RB52T-BRI
3	8/24/99		NONE	ADJUSTABLE BATTERY RAIL	6	RB52-ABR
2	2/14/00		NONE	REAR SUPPORT BRACE	4	RB52T-B
1	3/20/00		NONE	END FRAME	2	RB52T-RF

NOTE: A MINIMUM OF 6" OF SPACE IS NEEDED AROUND EACH SIDE OF RACK IN ORDER TO MEET UBC 97 SEISMIC CRITERIA.

*SEE ANCHORING INSTRUCTION DRAWING ANC-9001.

HARDWARE KIT: HK-0007

SEISMIC ZONE	*ANCHORING COMPONENTS	SEISMIC SUPPORT BEAMS
1	4-ø1/2"x6" ROD WITH E12 EPOXY CAPSULES	NOT REQUIRED
2A	4-ø1/2"x6" ROD WITH E12 EPOXY CAPSULES	REQUIRED
2B	4-ø1/2"x6" ROD WITH E12 EPOXY CAPSULES	REQUIRED
3	4-ø1/2"x6" ROD WITH E12 EPOXY CAPSULES	REQUIRED
4	4-ø1/2"x6" ROD WITH E12 EPOXY CAPSULES	REQUIRED

POWER
 POWER BATTERY COMPANY, INC.

RB52T ASSEMBLY DRAWING
 THREE TIER SEISMIC ZONE 1-4
 CERTIFIED BATTERY RACK

DRAWING NO.: RB52T{E}